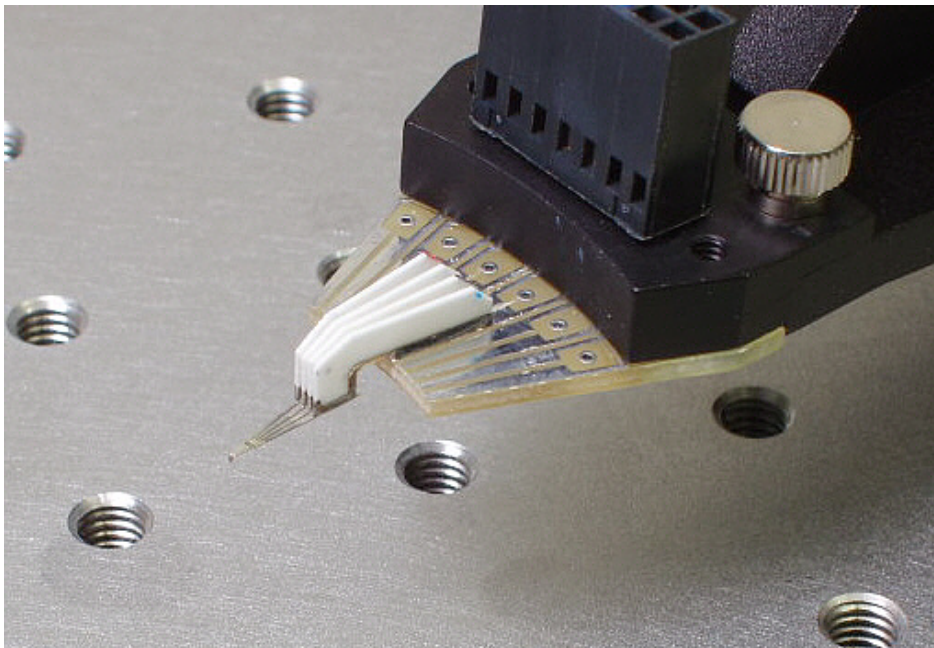


Micro 4-point probe

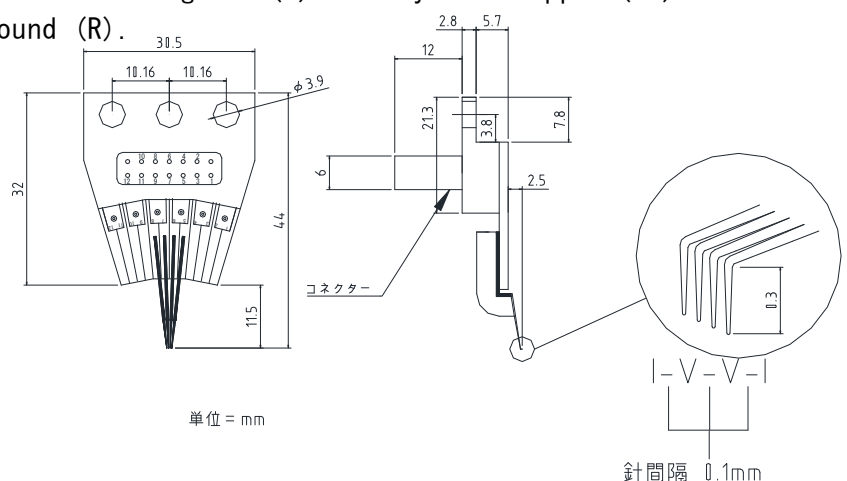
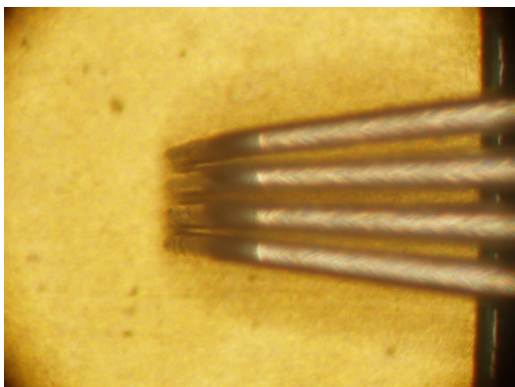
MODEL SEP-04

MODEL SEP-4 is a 4-point probe for sheet resistance measurement with 0.1mm pitch needle spacing. The distance between the four needles is 0.3mm (linear), so the influence range of the electric field energy is small. Therefore, even in the case of a pad with a small area of 5x5mm, it is possible to measure sheet resistance without being affected by electric field power up to around 0.5mm from the edge.



Model Number SEP-04-WR

The needle tip material can be selected from tungsten (W) or beryllium copper (BE). The tip shape can be flat (F) or round (R).



Dimensions are subject to slight variations.

The SEP-04 is made to order and will be delivered in about two weeks.

The standard lead wire length is 60cm. Coaxial cable and connector specifications are also available.